

4-MD-SC SERIES - 1/10 HP

APPLICATIONS

The Little Giant MD-SC series features leakproof, seal-less magnetic drives and are designed for in-line, non-submersible use. Volute, magnet housing and impeller are glass-filled polypropylene for excellent chemical resistance. Ceramic shaft and thrust washers are 99.5% pure alumina for excellent wear and trouble-free service. Pumping heads are easily rotated, cleaned or serviced with no special tools required. Spindle shaft is supported at both ends to prevent impeller damage during start-up and stop of pump.

FEATURES

- Thermally protected, open, fan-cooled, permanent split capacitor motor
- Sleeve bearings
- 6-foot power cord with 3-prong plug
- Specific gravity to 1.1
- Fluid temperature to 150 °F
- Ambient air temperature to 77 °F

NOTE: Consult your local distributor or the factory for applications with higher ambient temperatures, specific gravities and viscosities.

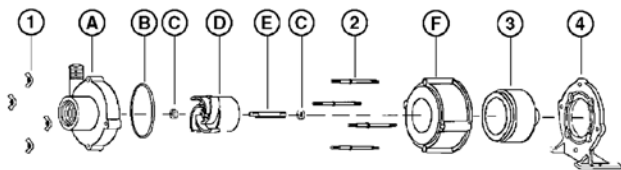


4-MD-SC



SERIES SPECIFICATIONS

Item No.	Model	Discharge	Intake	Listing(s)	HP	Volts	Hz	Amps	Watts	Gallons per minute (Liter per minute) @ Height					Shut-Off	PSI	Cord	Weight lbs (Kg)
										1'	3'	6'	9'	15'				
582503	4-MD-SC	1/2" MNPT	1" FNPT	UR/C-CSA	1/10	115	60	1.7	185	14.2 (53.8)	13.5 (51.1)	12.8 (48.5)	11.8 (44.7)	9.2 (34.8)	24.3' (7.4 m)	10.5	6' (1.8 m)	9.00 (4.08 Kg)
582598	4-MD-SC	1/2" MNPT	1" FNPT	Pump Head Less Motor											0.0	6' (1.8 m)	2.00 (0.97 Kg)	



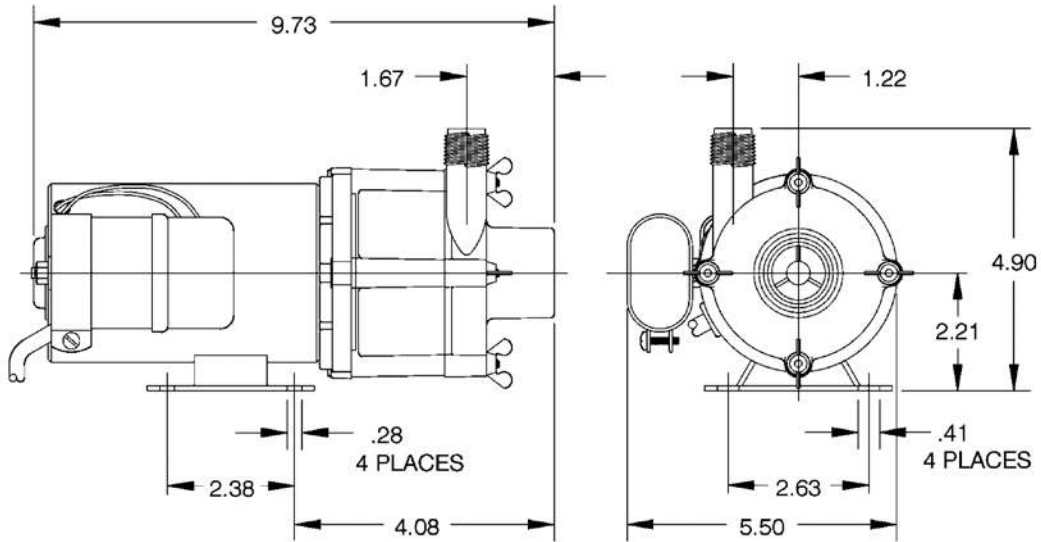
REPLACEMENT PARTS

Item	Part No.	Description
A	182010	Volute
B	924007	O-Ring
C	921077	Thrust Washer
D	183132	Impeller
E	180057	Shaft
F	182005	Housing
1	920003	Wing nut
2	911403	Stud, collared
3	182602	Drive Magnet
4	180037	Mounting Bracket

NOTE: Parts A-F contact fluid

4-MD-SC SERIES - 1/10 HP

ENGINEERING DATA



NOTE: Designs and dimensions may vary for various reasons (i.e. type of motor). This information should be used as general guide rather than an unqualified guarantee. Specifications are subject to change without prior notice.

PERFORMANCE DATA

